

## Thermography



### C.A 1884, Infrared Camera

- Simplicity and accuracy for rapid fault diagnosis
- Optimized metrology, possibility of multiple parameterization and high-accuracy measurement
- Ergonomics specially designed for on-site applications



Attestation délivrée selon un essai unique  
 Disponible sur [www.cnpp.com](http://www.cnpp.com)  
 N° 2008-0012

### RayCAM Report software

- Fine analysis in line with reality
- Fully-customizable reports
- Improved traceability: monitor the performance of your installation over time

### ■ C.A 1884

#### Specifications

Detector	160 x 120, Refresh rate: 50 Hz
Optics	Viewing angle: 20° x 15°, IFOV: 2.2 mrad Min. focusing distance: 10 cm
Measurement range	-20 °C to +250 °C, High Temp. available as an option
Adjustment	Emissivity, ambient temperature, distance, relative humidity
Memory	1,000 radiometric images in 250 folders
Measurement tools	3 manual cursors, 1 automatic Max/Min temp. detector, isotherm, alarm
Ergonomics	Pistol-shaped with multidirectional screen, 0.7 kg

### ■ RayCAM report

Points, lines, profiles, zones, isotherms
Independent parameterization of the points in the Thermogram
Association of actual image / infrared image
Automatic report generation
Back-up in Word

### State at delivery

- > Delivered in a case with RayCAM Report, 1 battery, 1 charger, 1 USB cable, 1 video cable

### References to order

- > **C.A 1884** > P01651228
- > **C.A 1884** high-temperature option 600 °C > P01651240
- > **C.A 1884** high-temperature option 1,000 °C > P01651241
- > **C.A 1884** high-temperature option 1,500 °C > P01651242

### Accessories / Spares

- |                      |             |
|----------------------|-------------|
| Sun shade            | > P01651525 |
| Photo tripod adapter | > P01651526 |
| Lens cap             | > P01651522 |
| USB cable            | > P01295274 |
| Battery              | > P01296041 |
| RayCAM Report        | > P01651524 |

# Thermography

## Additional lenses for the RayCAm C.A 1884

Whatever the application, there is a lens available that will give you a more detailed image of the remote scene or, on the contrary, a much wider-angle view to measure the whole scene in a single image.

**> 6.4° x 4.8° lens:**

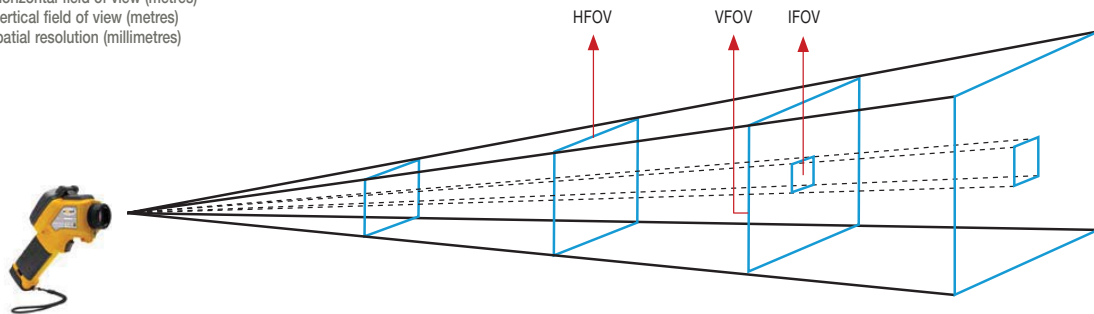
Telephoto lenses optically reduce the distance between the user and the object in order to show small objects at large distances. They are useful for viewing high-voltage lines, for example.

**> 38° x 28.5° lens:**

Wide-angle lenses widen the field of analysis without increasing the distance to the object. They are useful when observing buildings, for example, as they give an overall view so that energy losses can be located quickly.

Lens	IFOV Spatial resolution		0.01 m	0.1 m	0.3 m	0.5 m	1.0 m	2.0 m	10 m	30 m	100 m
6.4°x4.8° 3 x telephoto lens	0.7 mrad	HFOV	-	0.01	0.03	0.05	0.11	0.22	1.11	3.35	11.18
		VFOV	-	0.008	0.024	0.04	0.08	0.16	0.83	2.51	8.38
		IFOV	-	0.07	0.21	0.34	0.69	1.39	6.98	20.96	69.88
20°x15° Standard lens	2.2 mrad	HFOV	-	0.03	0.10	0.17	0.35	0.70	3.52	10.57	35.26
		VFOV	-	0.02	0.07	0.13	0.26	0.52	2.63	7.89	26.33
		IFOV	-	0.22	0.66	1.10	2.20	4.40	22.04	66.12	220.40
38°x28.5° 0.5 x wide-angle lens	4.4 mrad	HFOV	0.006	0.06	0.20	0.34	0.68	1.37	6.88	20.65	68.86
		VFOV	0.005	0.05	0.15	0.25	0.50	1.01	5.07	15.23	50.79
		IFOV	0.04	0.43	1.29	2.15	4.30	8.60	43.04	129.12	430.40

HFOV: horizontal field of view (metres)  
VFOV: vertical field of view (metres)  
IFOV: spatial resolution (millimetres)



## References to order

- > C.A 1884 WIDE ANGLE > P01651243
- > C.A 1884 WIDE ANGLE + STD > P01651244
- > C.A 1884 TELEPHOTO > P01651245
- > C.A 1884 TELE + STD > P01651246



# Thermography



**IP  
65**

**Specifications**

Detector	
Optical specifications	
Measurement range	
Adjustment	
Memory	
Functions	
Measurement tools	
Ergonomics	

**C.A 1879 thermographic camera**

- > **Large LCD screen & removable handle**
- Mixing of real and infrared images with Merge function
- Visual and audio alarms
- Automatic detection of Max / Min temperature points
- Storage on SD card
- Voice comments



**C.A 1879**

47 x 47, refresh rate 8 Hz
Field of view: 20° x 20°
Min. focal distance: 50 cm
-10 °C to 350 °C, ± 2 % or ± 2 °C
Emissivity, reflected temperature
1,000 images on SD card
Merge: real / infrared image mix level, adjustable by the user
Voice and/or text comments
2 movable cursors, automatic Min / Max temp. detection, alarm, isotherm, profile
Battery life: 6 hrs
Removable handle, < 700 g

**State at delivery**

- > The cameras are delivered in a hard case with 1 handle, 1 mains adapter for charging, 1 USB cable, 1 operating manual, software on CD-ROM and a Quick Start-up Guide on paper.

**Accessories / Spares**

- USB cable
- In-vehicle adapter

Please contact us.  
> HX0061

**Reference to order**

- > **DiaCam C.A 1879** > P01651250

