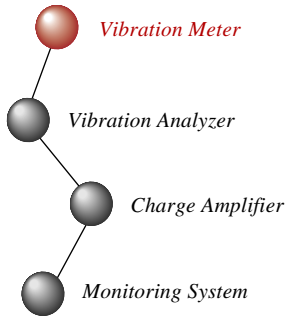


Respond to the needs, "safe and comfortable"

# SHOWA



# VIBROMETER WITH ANALYZER MINI VIBRO *Model-1022A*

Analog indication type vibrometer featuring compactness and high sensitivity.  
Vibration frequency analysis using built-in tunable filter.  
For measuring Vibration Severity.



# VIBROMETER WITH ANALYZER MINI VIBRO

# Model-1022A

## Features

Compact and lightweight precision vibrometer for measuring vibrations of rotary machines, reciprocating machines, etc.

Applications include measurements of acceleration, velocity and displacement. MINI-VIBRO is most suitable for measuring very small vibrations.

Built-in frequency analyzing filter allows frequency analysis in a simple operation. Velocity measuring function is conformed to JIS B0907(ISO2954) "Standard for Vibration Severity Measuring Instrument".

Vibration pickup can be hand-held or fixed with screws (M10).

Optional magnet (MG-2) available for ease of fixing Pickup up.

Analog indication makes reading of fluctuating vibrations easier.

## Composition

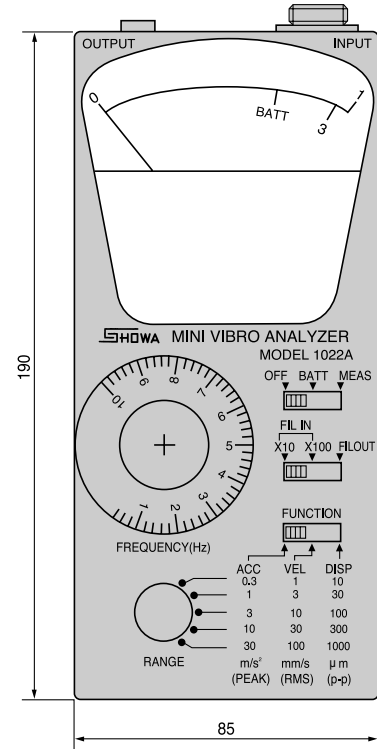
Mini vibro MODEL-1022A .....	1pc
Vibration pickup MODEL-2008 .....	1pc
Contact pin .....	1pc
Pickup cable 1m CA2411-1 .....	1pc
Output cable 1m CA1311-1 .....	1pc
Dry cell 006P( 9V ) .....	1pc
Carrying case .....	1pc
Instruction manual .....	1copy
Magnet holder( MG-2 ) .....	option

## Specifications

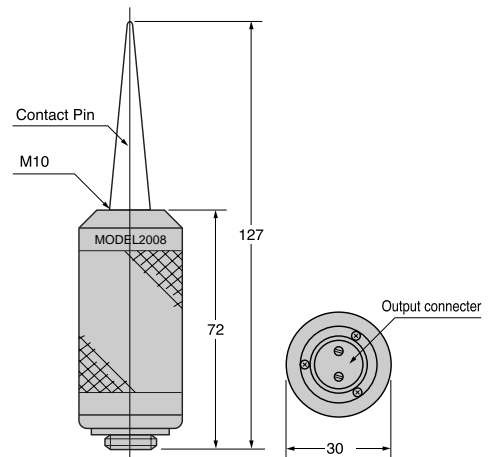
Measurement full scale range( 10dB step, 5ranges )	
Displacement range	10,30,100,300,1000 μm P-P
Velocity range	1,3,10,30,100mm/s RMS
Acceleration range	0.3,1,3,10,30m/s <sup>2</sup> PEAK
rectifier	True RMS
Indication	Acceleration...EQ Peak Velocity...True RMS Displacement...EQ P-P
Frequency range	10 ~ 1000Hz
Analysis filter	10 ~ 1000Hz Q=10
AC Output	± 1V/Full Scale
DC Output( option )	+ 1V/Full Scale
Accuracy	Within 3% on the amplitude measurement of sinusoidal wave 80Hz, 10mm/s RMS
Power supply	Dry cell 006P( 9V ).....1pc 16 hours or more continuous operation
Temperature range	Operation 0 ~ +50 Warehouse -20 ~ +70
Dimensions, weight	Mini Vibro( W )85 ×( H )190 ×( D )55mm 700g
	Pickup( H )72 ×( Dia )30mm 140g
	Contact pin( L )55mm 20g
	Magnet holder( H )30 ×( Dia )40mm 260g

## Dimensions

Mini Vibro MODEL-1022A



Pickup MODEL-2008



Unit: mm

**SHOWA** Respond to the needs; " safe and comfortable "

## SHOWA SOKKI CORPORATION

Agent:

Head Office :  
1-5-9, Kandaizumi-cho, Chiyoda-ku, Tokyo, 101-0024 JAPAN.  
Phone : 03-3866-3210 Fax : 03-3866-3060

Factory :  
1-8 Sanda-cho 5-chome, Hachioji, Tokyo, 193-0832 JAPAN.  
Phone : 0426-64-3232 Fax : 0426-64-3276

<http://www.showasokki.co.jp/> E-mail: eigyo@showasokki.co.jp