

Respond to the needs, safe and comfortable."

SHOWA

Vibration-Transmitter

VIBRO-CONVERTER

MODEL

2502

For vibration monitoring and control
with simple and reliable.



FEATURES

Three types; measurements for displacement, velocity and acceleration.
As output is 4 to 20 mA, it is possible to connect to recorder, indicator and sequential circuit directly.
Small size! light weight! low price!
All in one type for sensor, amplifier and transmitter.
It is only double lines type, joined together for both lines, power supply and signal.

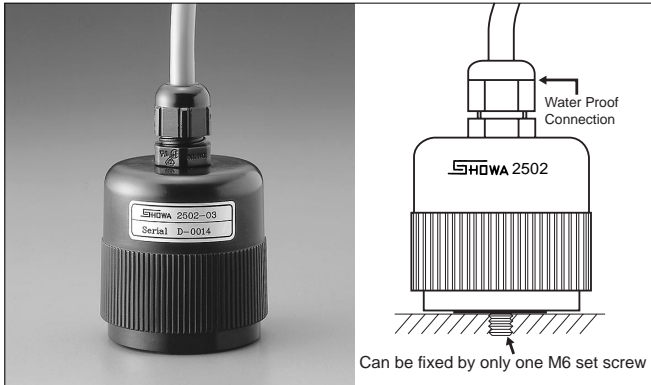
APPLICATIONS

For simple vibration monitoring system with low cost.
As for assembling into the electric motors, blowers, pumps and the other various rotating machines.
As the vibration sensor in the automatic inspection system.
As for the simple type vibration meter.
For trend recording of vibration level.

Vibration Transmitter

VIBRO-CONVERTER

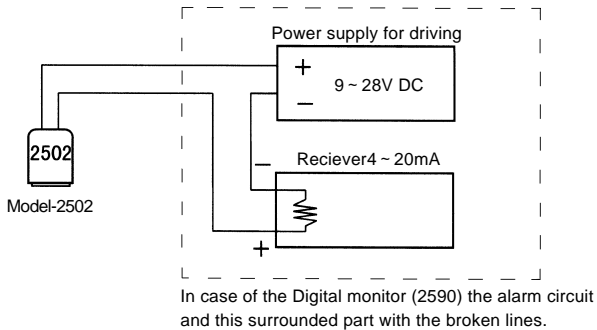
MODEL 2502



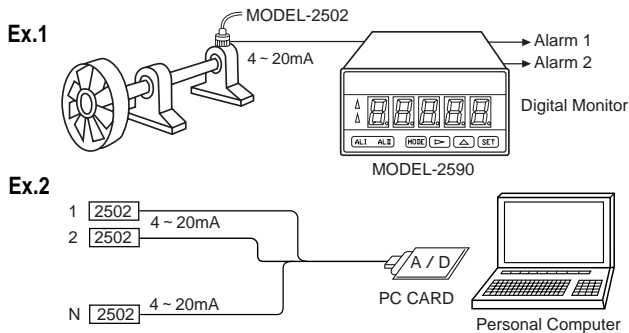
Specifications

| Model | 2502-03 | 2502-02 | 2502-01 |
|------------------------|---|-------------|--------------------------|
| Type | Displacement | Velocity | Acceleration |
| Full scale range | 200 μ mP-P | 50mm/s RMS | 100m/s ² Peak |
| Measuring range | 1% ~ 110% of Full scale | | |
| Output current | 4 to 20mA | | |
| Frequency range | 10 ~ 500Hz | 10 ~ 1000Hz | 5 ~ 1000Hz |
| Linearity | Within 1% | | |
| Accuracy | Within 5% (80Hz, 1/2 Full scale, 20) | | |
| Transverse sensitivity | Less than 5% | | |
| Driving voltage | 9 ~ 28V DC | | |
| Warming up time | 10sec. approx | | |
| Ambient temperature | -20 to +60 | | |
| Protection | IP64 | | |
| Vibration limit | 200m/s ² for continuous 1000m/s ² for shock | | |
| Resonant frequency | 5kHz approx | | |
| Withstand voltage | AC1500V 1minute | | |
| Output cable | 3m pig tale (VCTF 2 x 0.75mm ²) | | |
| Dimensions | 45 x H45mm | | |
| Weight | 105g without cable | | |
| Accessories | Setscrew M6 $l=10$ | | |
| Option | Digital monitor 2590 Mounting base | | |

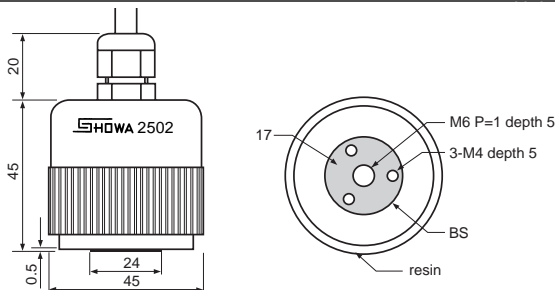
Basic Wiring Circuit



Examples for the indicators and meters to be possible to connect



Drawing for the External View



Option



Digital Monitor Model 2590

The Digital Monitor Model 2590 receives a 4-20mA signal from the vibration converter, scales it into a vibration value for digital display and allows the

vibration to be monitored by using a 2-high limit position alarm contact output. As an operating power supply for vibration converter is incorporated to make installation easier.

Specifications

| | |
|--------------------------------|---|
| Input signal : | 4-20mA (Span/Zero fine adjuster provided) |
| Indication range : | Can be set at 0 to intended value on scale value. |
| Indicator : | 7-segment red LED, 5-digit |
| Sampling cycle : | Can be set at 0.2/1/2/5/10 seconds. |
| Accuracy : | $\pm 0.1\% \pm 1$ digits (23 ± 5) |
| Power supply for converter : | +15V, 40mA max. |
| Alarm setting : | 2 high limit positions AL I (HH) and AL II (H) |
| Alarm value check : | Indicated for about 10 sec. by pressing AL I or AL II |
| Alarm relay contact : | Transfer. Rating AC 250V 5A, DC30V 5A max. |
| Alarm delay : | Can be set at 0 ~ 99.9 sec. as desired. |
| Analog output (option) : | 0-10V, 1-5V, 4-20mA when ordering. |
| Power supply : | AC85 ~ 264V 50/60Hz, 5VA or less |
| Operating temp. and humidity : | 0-50 , 85%RH max. (No dewing shall occur.) |
| Dimensions and weight : | 96(W) x 48(H) x 90.4(D) mm Approx 300g |

SHOWA Respond to the needs; " safe and comfortable "

SHOWA SOKKI CORPORATION

Head Office :
1-5-9, Kandaizumi-cho, Chiyoda-ku, Tokyo, 101 JAPAN.
Phone : 03-3866-3210 Fax : 03-3866-3060
Factory :
1-8 Sanda-cho 5-chome, Hachioji, Tokyo, 193 JAPAN.
Phone : 0426-64-3232 Fax : 0426-64-3276

Agent: