

# HOBO® Water Temp Pro v2 (U22-001) Manual



The HOBO Water Temp Pro v2 logger is designed with a durable, streamlined, UV-stable case for extended deployments measuring temperature in fresh or salt water. The small size of the logger allows it to be easily mounted and/or hidden in the field. It is waterproof up to 120 m (400 feet) and rugged enough to withstand years of use, even in stream conditions. It has enough memory to record over 42,000 12-bit temperature measurements.

The logger uses an optical USB communications interface for launching and reading out the logger. The optical interface allows the logger to be offloaded without compromising the integrity of the seals. The USB compatibility allows for easy setup and fast downloads.

## HOBO Water Temp Pro v2

U22-001

### Required Items:

- Coupler (COUPLER-C) and USB Optic Base Station (BASE-U-4) or HOBO Waterproof Shuttle (U-DTW-1)
- HOBOWare®

### Accessories:


- Protective boot; black (BOOT-BLK) or white (BOOT-WHT)

## Specifications

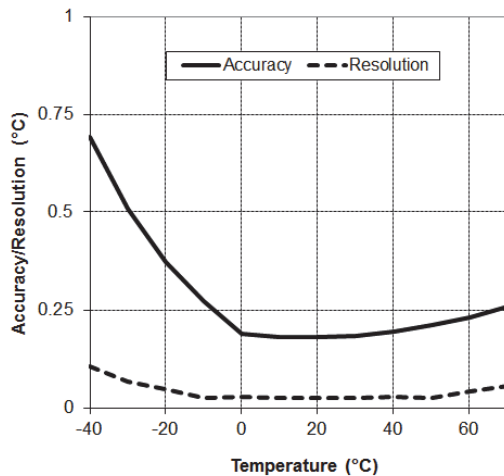
### Temperature Sensor

<b>Operation Range</b>	-40° to 70°C (-40° to 158°F) in air; maximum sustained temperature of 50°C (122°F) in water
<b>Accuracy</b>	±0.21°C from 0° to 50°C (±0.38°F from 32° to 122°F), see Plot A
<b>Resolution</b>	0.02°C at 25°C (0.04°F at 77°F), see Plot A
<b>Response Time (90%)</b>	5 minutes in water; 12 minutes in air moving 2 m/sec (typical)
<b>Stability (Drift)</b>	0.1°C (0.18°F) per year

### Logger

<b>Real-time Clock</b>	± 1 minute per month 0° to 50°C (32° to 122°F)
<b>Battery</b>	2/3 AA, 3.6 Volt Lithium, factory-replaceable ONLY
<b>Battery Life (Typical Use)</b>	6 years with 1 minute or greater logging interval
<b>Memory (Non-volatile)</b>	64K bytes memory (approx. 42,000 12-bit temperature measurements)
<b>Weight</b>	42 g (1.5 oz)
<b>Dimensions</b>	3.0 cm (1.19 in.) maximum diameter, 11.4 cm (4.5 in.) length; mounting hole 6.3 mm (0.25 inches) diameter
<b>Wetted Materials</b>	Polypropylene case, EPDM o-rings, stainless steel retaining ring
<b>Buoyancy (Fresh Water)</b>	+13 g (0.5 oz.) in fresh water at 25°C (77°F); +17 g (0.6 oz.) with optional boot
<b>Waterproof</b>	To 120 m (400 ft.)
<b>Shock/Drop</b>	1.5 m (5 ft.) drop at 0°C to 70°C (32°F to 150°F)
<b>Logging Interval</b>	Fixed-rate or multiple logging intervals, with up to 8 user-defined logging intervals and durations; logging intervals from 1 second to 18 hours. Refer to the HOBOWare software manual.
<b>Launch Modes</b>	Immediate start and delayed start
<b>Offload Modes</b>	Offload while logging; stop and offload
<b>Battery Indication</b>	Battery voltage can be viewed in status screen and optionally logged in datafile. Low battery indication in datafile.
<b>NIST Certificate</b>	Available for additional charge
	The CE Marking identifies this product as complying with all relevant directives in the European Union (EU).

## Specifications (continued)

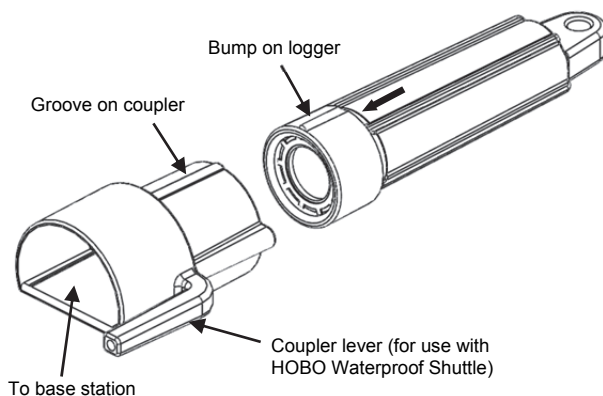


Plot A

## Connecting the Logger

The HOBO Water Temp Pro v2 requires a coupler and USB Optic Base Station or HOBO Waterproof Shuttle to connect to the computer.

1. Install the logger software on your computer before proceeding.
2. Follow the instructions that came with your base station or shuttle to attach the base station or shuttle to a USB port on the computer.
3. Make sure the logger's communications window is clean and dry. (Use a clean, nonabrasive cloth, if necessary.) If the logger is wet, wipe off excess moisture.
4. Attach the coupler to the base station or shuttle, then insert the logger into the coupler so that the bump on the logger slides into the groove of the coupler. There is also an arrow etched on the logger case showing the direction the logger should be inserted into the coupler.



If you are using an older model of this logger and the arrow is not visible, hold the curved side of the coupler up as shown above. Insert the logger with the flat side up (the side in line with the flat side of the mounting hole).

5. If you are using the HOBO Waterproof Shuttle, briefly press the coupler lever to put the shuttle into base station mode.
6. If the logger has never been connected to the computer before, it may take a few seconds for the new hardware to be detected by the computer.
7. Use the logger software to launch the logger. You can check the logger's status, read out the logger while it continues to log, stop it manually with the software, or let it record data until the memory is full.

Refer to the software user's guide for complete details on launching, reading out, and viewing data from the logger, including multiple logging intervals.

**Important:** USB communications may not function properly at temperatures below 0°C (32°F) or above 50°C (122°F).

**Note:** The logger consumes significantly more power when it is "awake" and connected to a base station or shuttle. To conserve power, the logger will go into a low-power (sleep) mode if there has been no communication with your computer for 30 minutes. To wake up the logger, remove the logger from the coupler, wait a moment, then re-insert the logger.

**Note:** The first time you launch the logger, the deployment number will be greater than zero. Onset launches the loggers to test them prior to shipping.

## Operation

A light (LED) in the communications window of the logger confirms logger operation. (In brightly lit areas, it may be necessary to shade the logger to see the LED blink.) The following table explains when the light blinks during logger operation:

When:	The Light Does this:
The logger is logging	Blinks once every one to four seconds (the shorter the logging interval, the faster the light blinks); blinks when logging a sample.
The logger is awaiting a start because it was launched in Start At Interval or Delayed Start mode	Blinks once every eight seconds until logging begins

## Sample and Event Logging

The logger can record two types of data: samples and events. Samples are the sensor measurements recorded at each logging interval (for example, temperature every minute). Events are independent occurrences triggered by a logger activity, such as Bad Battery or Host Connected. Events help you determine what was happening while the logger was logging.

The logger stores 64K of data, and can record over 42,000 12-bit temperature measurements.

## Deploying and Protecting the Logger

Follow these guidelines for deploying and protecting the logger:

Some monitoring applications require precise placement of the temperature sensor, such as measuring the temperature of a flow at the bottom of a stream or river. Ensure that the logger is appropriately secured so that the temperature sensor is in the desired measurement location.



**Important:** The plastic case will become brittle at temperatures lower than  $-20^{\circ}\text{C}$ . If the logger is deployed in a location where the temperature drops below  $-20^{\circ}\text{C}$ , make sure the logger remains stationary and is not pulled on or struck. Return the logger to above  $-20^{\circ}\text{C}$  before handling.

- The opening at the sensor end of the logger accepts 1/4 inch (6.35mm) diameter nylon cord or other strong cable. If wire is wrapped through the sensor end to secure the logger, make sure the wire loop is snug to the sensor end. Any slack in the loop may cause excessive wear.
- The logger is slightly positive buoyant so that it will float if it is inadvertently dropped in the water or breaks free from its mooring. You may want to mark or label the logger with contact information in case the logger is lost.
- Onset recommends an optional boot (Part # BOOT-BLK or BOOT-WHT) for high fouling environments and for protection against very cold temperatures (which can make the case brittle and prone to fracture) or repeated pounding and abrasion caused by turbulent flow. The boot slides over the logger, has a removable end cap, and is flexible enough to allow you to attach the coupler without removing the boot. To attach the base station, remove the end cap and firmly insert the logger until the boot folds back. Insert the logger into the coupler so that the bump on the logger slides into the groove of the coupler as shown on page 2.

Although the boot does not cover the sensor end of the logger, the temperature response time (to 90% of final value) in water increases slightly from 5 to 8 minutes due to the increased mass.

- An alternative to the optional boot in high fouling environments is to protect the logger with plastic wrap that can be removed and replaced as needed.

- Depending on water conditions and desired measurement location, the logger should be appropriately weighted, secured, and protected.
- This logger should not be immersed for extended periods in any liquid other than fresh or salt water. To do so may void the warranty (refer to the Service and Support section). If you have any questions about chemical resistance, call Onset.
- Prolonged exposure to chlorinated water is not recommended.
- To clean the logger, rinse it in warm water. Use a mild dishwashing detergent if necessary. Do not use harsh chemicals, solvents, or abrasives, especially on the communications window.

## Battery

The battery in the HOBO Water Temp Pro v2 is a 3.6 Volt lithium battery. The battery life of the logger should be about six years. Actual battery life is a function of the number of deployments, logging interval, and operation/storage temperature of the logger. To obtain a six-year battery life, a logging interval of one minute or greater should be used and the logger should be operated and stored at temperatures between  $0^{\circ}$  and  $25^{\circ}\text{C}$  ( $32^{\circ}$  and  $77^{\circ}\text{F}$ ). Frequent deployments with logging intervals of less than one minute, and continuous storage/operation at temperatures above  $35^{\circ}\text{C}$ , will result in significantly lower battery life. For example, continuous logging at a one-second logging interval will result in a battery life of approximately one month.

The logger can report and log its own battery voltage. If the battery falls below 3.1 V, the logger will record a "bad battery" event in the datafile. If the datafile contains "bad battery" events, or if logged battery voltage repeatedly falls below 3.3 V, the battery is failing and the logger should be returned to Onset for battery replacement.

To have your logger's battery replaced, contact Onset or your place of purchase for return arrangements. Do not open the case or attempt to replace the battery yourself. There are no user-serviceable parts inside. If you open the case, the warranty will be voided, and the logger may no longer be waterproof.

**⚠ WARNING:** Do not cut open, incinerate, heat above  $100^{\circ}\text{C}$  ( $212^{\circ}\text{F}$ ), or recharge the lithium battery. The battery may explode if the logger is exposed to extreme heat or conditions that could damage or destroy the battery case. Do not dispose of the logger or battery in fire. Do not expose the contents of the battery to water. Dispose of the battery according to local regulations for lithium batteries.