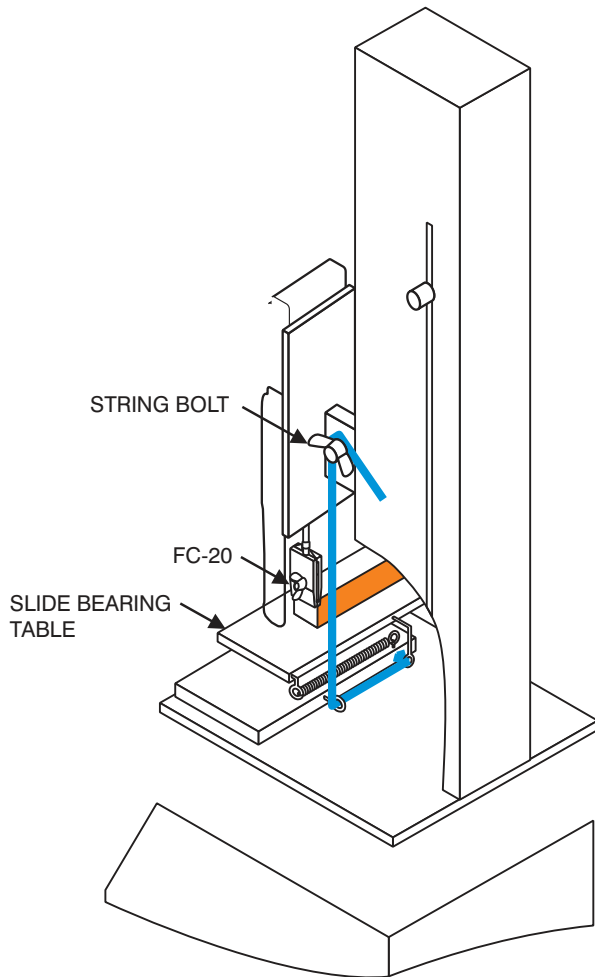
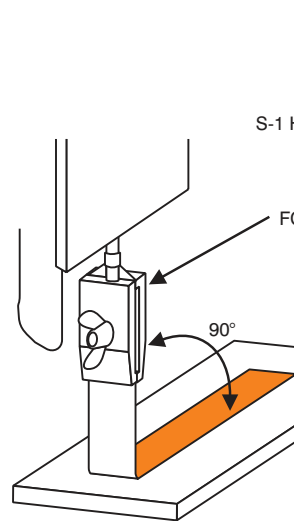


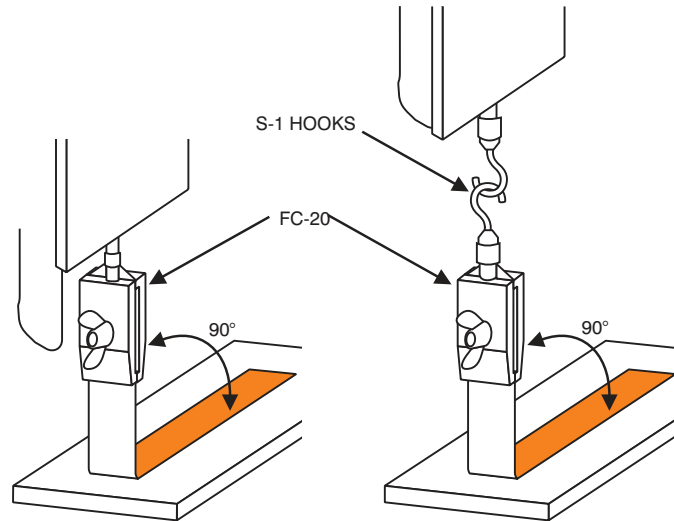
90° Peel Use Special Attachments: Slide Bearing Table FC-20 Grip (or FC-40 Grip) — with or without S-1 Hooks



OPTION 1 RIGID CONNECTION



OPTION 2 S-1 HOOK CONNECTION



RIGID CONNECTION

1. Cut the tape sample to size and affix it to the peel table, leaving one end of the tape unaffixed for gripping purposes.
2. Move the gauge and FC-20 grip down to the same level.
3. Use the FC-20 (or FC-40) to grip the unaffixed tape end.
4. Loosen the string bolt.
5. Make sure there is no slack, then adjust the string length to move the slide bearing table and make a 90° angle.
6. Re-tighten the string bolt.
7. Press ZERO on DPS gauge, then start the peel test.

S-1 HOOK CONNECTION

1. Cut the tape sample to size and affix it to the peel table, leaving one end of the tape unaffixed for gripping purposes.
2. Use FC-20 (or FC-40) to grip the end of the tape and hold it perpendicular while moving the gauge and hook down to the same level.
3. Hook the S-1 attachment hooks together.
4. Loosen the string bolt.
5. Make sure there is no slack between the hooks, then adjust the string length to move the slide bearing table and make a 90° angle.
6. Re-tighten the string bolt.
7. Press ZERO on DPS gauge, then start the peel test.