

## Low Cost STROBOSCOPE

**DT-721** (AC-Powered)

**DT-725** (Battery-Powered)

**40 – 12,500 RPM/FPM**  
and higher using harmonics

The CHECK•LINE® DT-721 and DT-725 Digital Stroboscopes are highly stable, industrial-quality instruments for non-contact RPM measurement as well as for inspection and observation of moving parts by “freezing” or “slowing down” the action.

A “Kit” option is offered for both models which also includes a carrying case and spare flash tube at minimal additional cost.



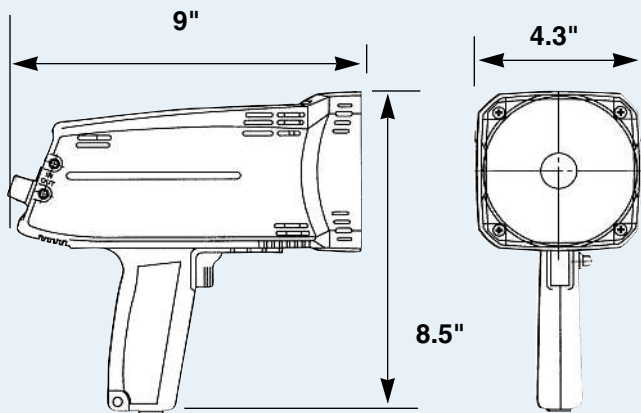
*Optional Complete Kit*



### FEATURES

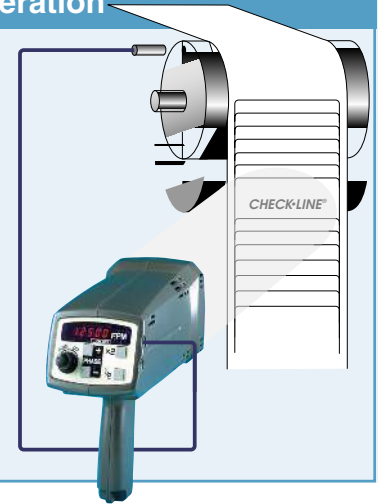
- AC or battery-powered models
- Highly accurate speed control with drift-free operation
- Bright flash intensity with life of 100 million flashes
- Easy-to-use controls with bright LED display
- Instant *double* (2X) and *half-rate* ( $\div 2$ ) flash selection
- Accepts input from sensor for external flash triggering
- Phase shift adjustment permits movement of objects to desired position for convenient observation
- Extremely lightweight and rugged

### Dimensions



### External Trigger Operation

Suitable for applications requiring external control of the flash rate using a sensor or other input device. An external power source may be required.



### Specifications

<b>Flash Range</b>	40 – 12,500 FPM	<b>Duty Cycle</b>	Continuous
<b>Accuracy</b>	± 0.02% of reading	<b>Battery Life</b>	1 hour (Model 725 only)
<b>Resolution</b>	(0.1) 40.0 – 4,999.9 (0.2) 5,000.0 – 7,999.8 (0.5) 8,000.0 – 9,999.5 (1.0) 10,000.0 – 12,500.0	<b>Re-charging Time</b>	12 hours (4 hours with optional Fast Charger)
<b>Display</b>	5-Digit LED, 8 mm high	<b>Low Battery Indicator</b>	Model 725 only
<b>Flash Tube</b>	Xenon, 10 watt	<b>Operating Temperature</b>	32 to 105 °F (0 to 40 °C)
<b>Tube Life</b>	100 million flashes	<b>Weight</b>	
<b>Flash Duration</b>	10 – 15 µs	..... Model 721	1.50 lbs. (680 g)
<b>Signal Output</b>	NPN Open Collector, 24 VDC max. at 50 mA (150 µs typical)	..... Model 725	2.75 lbs. (1.25 Kg)
<b>Phase Shift</b>	0 – 359° (Internal Mode)	<b>Power Requirements</b>	
		..... Model 721	115 VAC ± 10%, 50/60 Hz
		..... Model 725	Internal Battery (Lead Acid Rechargeable)

*Specifications subject to change without notice.*

### External Trigger Input Signal

- 12 – 24 VDC thru a 3-wire NPN sensor (requires external power supply)
- 12 VDC thru a 2-wire proximity sensor (Leakage Current 1 mA max. Load current 8 mA min.)
- Switch or Relay Contact

### Ordering Guide

<b>For use in countries with 115 VAC</b>	DT-721	<b>For use in countries with 230 VAC</b>	DT-721-2
	DT-725		DT-725-2
	DT-721-KIT		DT-721-2-KIT
	DT-725-KIT		DT-725-2-KIT