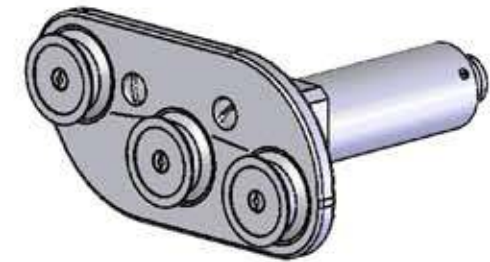
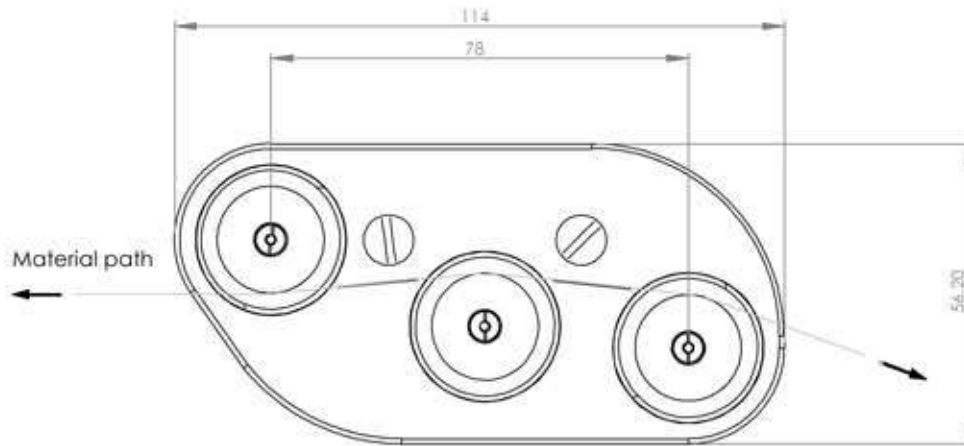
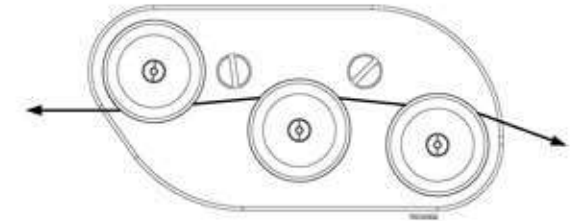


Material path



weight: approx. 270g

Angaben zu Form- und Lageweisungen DIN 1301 Längen- und Winkelmaße ohne Angabe DIN ISO 2768 - m Form- und Lagemaße ohne Angabe DIN ISO 2768 - K Gewindebohrungen DIN 76, von 50° bis 120° bis Außen Durchmesser Oberflächenbeschaffenheit DIN ISO 1502		<b>Oberfläche</b> Vorhandene Kanten brechen!	<b>Maßstab</b> 1:1 <b>Modell</b> 137.4 <b>Ursprung</b> 453230 <b>Werkstoff, Güte, Ausgangsteil</b>	<b>Masse (fertig)</b> 0.2509 kg																																																																														
<table border="1"> <tr> <td>mm</td> <td>0.5</td> <td>1</td> <td>2</td> <td>3</td> <td>4</td> <td>5</td> <td>6</td> <td>8</td> <td>10</td> <td>12</td> <td>16</td> <td>20</td> <td>25</td> <td>30</td> <td>40</td> <td>50</td> <td>63</td> <td>80</td> <td>100</td> <td>125</td> <td>160</td> <td>200</td> <td>250</td> <td>315</td> <td>400</td> <td>500</td> <td>630</td> <td>800</td> <td>1000</td> <td>1250</td> <td>1600</td> <td>2000</td> <td>2500</td> <td>3150</td> <td>4000</td> <td>5000</td> <td>6300</td> <td>8000</td> <td>10000</td> </tr> <tr> <td>mm</td> <td>0.1</td> <td>0.2</td> <td>0.3</td> <td>0.4</td> <td>0.5</td> <td>0.6</td> <td>0.8</td> <td>1.0</td> <td>1.2</td> <td>1.5</td> <td>2.0</td> <td>2.5</td> <td>3.0</td> <td>4.0</td> <td>5.0</td> <td>6.3</td> <td>8.0</td> <td>10.0</td> <td>12.5</td> <td>16.0</td> <td>20.0</td> <td>25.0</td> <td>31.5</td> <td>40.0</td> <td>50.0</td> <td>63.0</td> <td>80.0</td> <td>100.0</td> <td>125.0</td> <td>160.0</td> <td>200.0</td> <td>250.0</td> <td>315.0</td> <td>400.0</td> <td>500.0</td> <td>630.0</td> <td>800.0</td> <td>1000.0</td> </tr> </table>	mm	0.5	1	2	3	4	5	6	8	10	12	16	20	25	30	40	50	63	80	100	125	160	200	250	315	400	500	630	800	1000	1250	1600	2000	2500	3150	4000	5000	6300	8000	10000	mm	0.1	0.2	0.3	0.4	0.5	0.6	0.8	1.0	1.2	1.5	2.0	2.5	3.0	4.0	5.0	6.3	8.0	10.0	12.5	16.0	20.0	25.0	31.5	40.0	50.0	63.0	80.0	100.0	125.0	160.0	200.0	250.0	315.0	400.0	500.0	630.0	800.0	1000.0	<b>Datum</b> <b>Name</b> <b>Bearb.</b> 07.10.2010 <b>Gepr.</b>	<b>Benennung</b> Tension sensor 137.4 with winding protection device, material path B <b>Zeichnungsnummer</b> 64_257_566	<b>Blatt</b> 1 <b>von</b> 2
mm	0.5	1	2	3	4	5	6	8	10	12	16	20	25	30	40	50	63	80	100	125	160	200	250	315	400	500	630	800	1000	1250	1600	2000	2500	3150	4000	5000	6300	8000	10000																																											
mm	0.1	0.2	0.3	0.4	0.5	0.6	0.8	1.0	1.2	1.5	2.0	2.5	3.0	4.0	5.0	6.3	8.0	10.0	12.5	16.0	20.0	25.0	31.5	40.0	50.0	63.0	80.0	100.0	125.0	160.0	200.0	250.0	315.0	400.0	500.0	630.0	800.0	1000.0																																												
<b>Änderung</b>		<b>Name</b>	<b>Datum</b>	<b>Schutzvermerk</b> DIN 34 beachten Originalformat DIN A3																																																																														

Office: Jl. Radin Inten II No. 62 Duren Sawit, Jakarta 13440 - Indonesia Mobile: +62 816 1740 8925  
 Workshop: Jl. Pahlawan Revolusi No. 22B, Jakarta 13430 - Indonesia Fax: 021-8690 6771  
 Phone: 021-8690 6777 (Hunting)