

# DTW

---

DIGITAL TORQUE WRENCH

## Operating Instructions



## DTW - Digital Torque Wrench

---

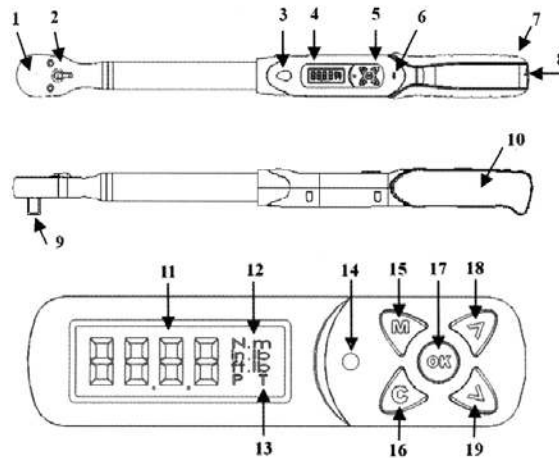
### ***Thank you!***

Dear Customers,

Thank you for purchasing this digital torque wrench. This instruction manual will help you to use the many features of your new digital torque wrench. Before operating the torque wrench, please read this manual completely, and keep it nearby for future reference.

### **NAMES & FUNCTIONS OF PARTS**

---



- |                              |                                      |
|------------------------------|--------------------------------------|
| 1. Reversible ratchet head   | 11. Torque Display                   |
| 2. Direction lever           | 12. Unit Display (N-m, in-lb, ft-lb) |
| 3. Data Port Not Used on DTW | 13. (P) Peak / (T) Track Indicator   |
| 4. LCD Display               | 14. LED Indicator                    |
| 5. Keypad                    | 15. Menu Key                         |
| 6. Buzzer                    | 16. Cancel Key                       |
| 7. Battery Compartment       | 17. Enter Key                        |
| 8. Battery Cover             | 18. Up Key                           |
| 9. Ratchet Drive             | 19. Down Key                         |
| 10. Handle                   |                                      |

**SPECIFICATIONS**


---

<b>Accuracy*</b>	<b>Clockwise:</b> $\pm 2.5\%$ <b>Counterclockwise:</b> $\pm 3.5\%$
<b>Capacity</b>	<b>DTW-265i</b> - 265 in-lb / 30 N-m <b>DTW-1200i</b> - 1200 in-lb / 145 N-m <b>DTW-100f</b> - 100 ft-lb / 145 N-m <b>DTW-250f</b> - 250 ft-lb / 340 N-m
<b>Resolution</b>	<b>DTW-265i</b> - 0.1 in-lb / 0.01 N-m <b>DTW-1200i</b> - 1 in-lb / 0.1 N-m <b>DTW-100f</b> - 0.1 ft-lb / 0.1 N-m <b>DTW-250f</b> - 0.1 ft-lb / 0.1 N-m
<b>Gear Teeth</b>	36
<b>Unit Selection</b>	in-lb, ft-lb, N-m
<b>Memory</b>	50 readings
<b>Power</b>	AA x 2
<b>Battery Life</b>	110 hours continuous use
<b>Operating Temp.</b>	-10°C ~ 60°C
<b>Storage Temp.</b>	-20°C ~ 70°C
<b>Humidity</b>	Up to 90% non-condensing
<b>Drop Test</b>	3m
<b>Vibration Test</b>	10G

\*The accuracy of reading value is guaranteed from 20% to 100% of maximum range  $\pm$  least significant digit. The torque accuracy is a typical value. Calibration point is at the middle line of the five anti-slip lines on the rubber handle. For highest accuracy we recommend a calibration interval of 1 year.

## DTW - Digital Torque Wrench

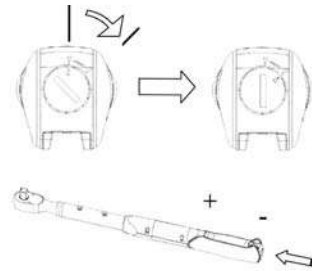
---

### BEFORE USING THE WRENCH

---

#### Battery Installation

- Remove the battery cover
- Insert two (2) AA batteries with positive end facing the head of the wrench as shown in the drawing to the right
- Reinstall battery cover and rotate to lock it in place



### POWER ON AND RESETTING THE WRENCH

---

- Press **C** to power on the wrench
- Press **C** to zero the torque wrench before use

#### ATTENTION:

1. If an external force is applied to the wrench during power-on or zeroing an initial torque offset will exist in memory.
2. The measuring unit and operating mode (track / peak) are stored in memory. Once set they will be permanently stored.

### SLEEP MODE

---

The wrench will automatically go to sleep after 5 minutes of non-use. Press **C** to wake the wrench from sleep.

### LOW BATTERY WARNING

---

The wrench will display a low battery symbol in the upper left corner of the LCD display when the battery voltage drops below 2.3 volts.



---

## Operating Instructions

---

### SELECTING TRACK / PEAK MODE

---

The DTW can measure torque in TRACK or PEAK mode. When in track mode the wrench will display real-time torque. When in peak mode the wrench will hold the highest measured reading on the display until the **C** (zero) key is pressed.

To select TRACK or PEAK mode on your DTW wrench Press the **M** key twice and you will see the word **MODE** and the letter **T** or **P** flashing in the bottom right corner of the display. Press the up / down arrows to toggle between **T** (track) and **P** (peak). When the letter corresponding to your desired mode is displayed, press the **M** key three times to confirm your selection and return to measurement mode.

---

### SELECTING UNITS OF MEASURE

The DTW wrench can display measurements in Newton Meters (**N-m**), Inch Pounds (**in-lb**) or Foot Pounds (**ft-lbs**). The selected measuring unit is displayed in the upper right corner of the display.

To select the desired measuring unit press the **M** key three times and you will see the word **UNIT** and the measuring unit flashing on right side of the display. Press the up / down arrows to select the desired measuring unit. When the desired measuring unit is displayed press the **M** key two times to confirm your selection and return to measurement mode.

### SETTING TORQUE ALARM VALUE

The DTW wrench can display a visual signal light and sound an audible alarm when a desired torque value is reached. The alarm value can be set between 10% - 100% of the wrenches capacity.

To set the desired torque alarm value press the **M** key once and you will see the a number on the display. Use the up / down arrows to input the desired value that should trigger the alarm. When desired alarm value is displayed, press the **M** key four times to confirm your selection and return to measurement mode.

## DTW - Digital Torque Wrench

---

### MEMORY

---

The DTW can store up to 50 readings in memory for recall on the display.

To store a reading in memory set the wrench to **P** (peak) mode and take a reading. When the reading is on the display press the **OK** key to store the reading and zero the wrench.

To recall stored readings press the **M** key four times, the display will alternate between **n0XX** (XX = the reading number) and the stored reading. Press the up / down arrows to toggle between readings. Press the menu key twice to return to measurement mode.

To clear the stored readings press the **M** key five times. CLr will be shown on the display. Press the **C** key twice to confirm the deletion of the readings. **WARNING**, this procedure will delete the entire contents of the memory, it is not possible to delete individual readings.

### MAINTENANCE AND STORAGE

---

1. Do not Over-torque (105% of Max. torque capacity). Over-torquing can damage wrench or cause it to lose accuracy.
2. Do not shake or shock this wrench violently or drop it to ground.
3. Do not use this wrench as a hammer.
4. Do not expose to excessive heat, humidity, or direct sunlight.
5. Do not use the wrench near water.
6. If the wrench gets wet, wipe it with a dry lowel as soon as possible. The salt in seawater can be especially damaging.
7. Do not use organic solvents, such as alcohol or paint thinner when cleaning the wrench.
8. Keep this wrench away from magnets.
9. Do not expose this wrench to dust or sand as this could cause serious damage.
10. Do not apply excessive force to the LCD panel.

---

## Operating Instructions

---

### WARRANTY

---

ELECTROMATIC Equip't Co., Inc. expressly warrants to its buyer for one (1) year from the date of delivery that the goods sold are free from defects in workmanship and materials. ELECTROMATIC Equip't Co., Inc. will, at its option, repair or replace or refund the purchase price of goods found to be defective. This remedy shall be the buyer's sole and exclusive remedy. Any modification, abuse, exposure to corrosive environment or use other than intended will void this warranty. This warranty is in lieu of all other warranties, including implied warranties of merchantability and fitness for an intended purpose. In no event shall ELECTROMATIC Equip't Co., Inc. be liable for any incidental and consequential damages in connection with goods sold or any part thereof.

