

USB Data Logger - U30-NRC

Step 9 - Reading Out Data

- a. Click the **Readout** icon on the toolbar to open the **Readout** window (or from the Main Menu select **Device > Readout**).
- b. When alatujware prompts you to stop the logger before reading out, click **Stop**.
- c. When alatujware Pro prompts you to save the data file, click **Save**. After you save the file, the **Plot Setup** dialog appears.
- d. Select channels to plot and other desired options, and click **Plot**. The graph appears.
- e. Use alatujware tools and features to change your view of the graph and analyze the data. Review the data and verify that it is accurate. The graph should reflect the change in conditions that you created in Step 7. See the *alatware User Guidere* for more details.

Step 10 - Prepare Logger for Deployment

You are now ready to deploy the U30 in the field.

- a. Open the Launch Window in ware and set your *Logging Interval* to the value you want to deploy with.
- b. **If you are not deploying the system immediately, disconnect the battery to save battery power.**
- c. Disconnect the USB cable from the U30.
- d. Disconnect the sensors for transporting the system to the field (Optional).

Office: Jl. Radin Inten II No. 62 Duren Sawit, Jakarta 13440 - Indonesia
Workshop: Jl. Pahlawan Revolusi No. 22B, Jakarta 13430 - Indonesia
Phone: 021-8690 6777 (Hunting)
Mobile: +62 816 1740 8925
Fax: 021-8690 6771



Follow the steps in this Quick Start Guide to configure U30 Station with No Remote Communication (U30/NRC).

For more information see the *U30 NRC User Guide*, available as a printable file from the Onset website at: <http://www.onsetcomp.com/support/manuals>

The U30 Station is a data logging system that can be easily reconfigured and adapted to a wide variety of applications. Up to 15 channels of data can be recorded, monitored, graphed, and analyzed with ware Pro software.

Main Features

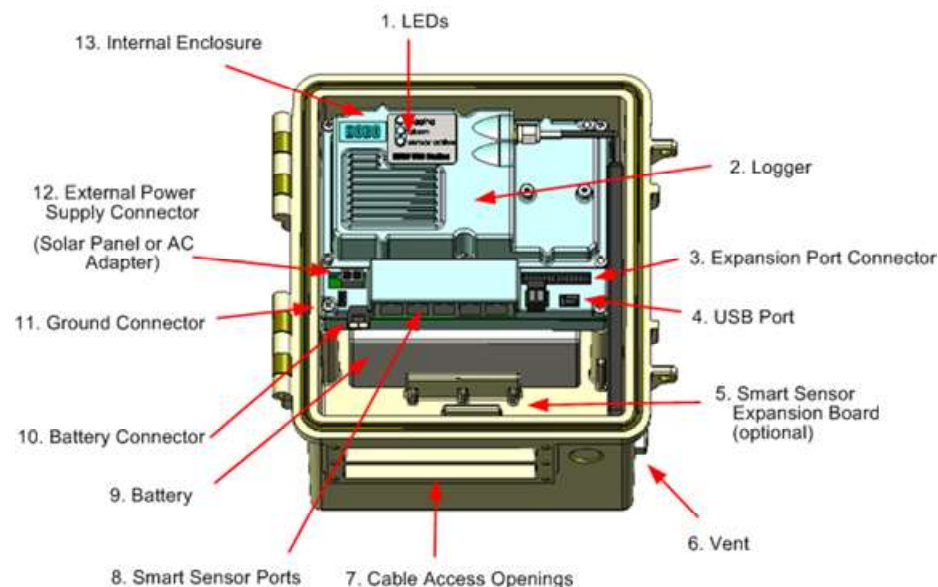
- All electronics are housed within a rugged double-weatherproof, tamper-proof enclosure
- Set up is quick and easy with plug-and-play connectors
- Fast data offload via USB
- Optional analog inputs with sensor excitation

Contents

U30 Station package includes:

- U30 Station
- Mounting Kit
- Grounding Wire
- Cable Entry and Sealing Kit
- Optional Analog Sensor Port, if ordered
- Optional Sensor Expander Board, if ordered

Components



IMPORTANT: Always plug-in the battery first, before you plug in any solar panel or power supply connector. When disconnecting power, always unplug any solar panel or power supply connector first, then unplug the battery.

Step 1 - Install Mounting Plates

Screw the mounting plates onto the back of the U30 Station case using a Phillips-head screwdriver. Be careful to orient the plates so that the screw heads are sunk into the screw holes.

Step 2 - Remove Secondary Cable Slot (Optional)

If you are using the Smart Sensor Expander Board, you must remove the piece covering the Secondary Cable Slot to access the board. See the *U30 Station/ NRC User's Guide*

Step 3 - Plug in Smart Sensors

Insert the Smart Sensor cables through the cable access opening in the bottom of U30 Station and plug them into the Smart Sensor jacks.

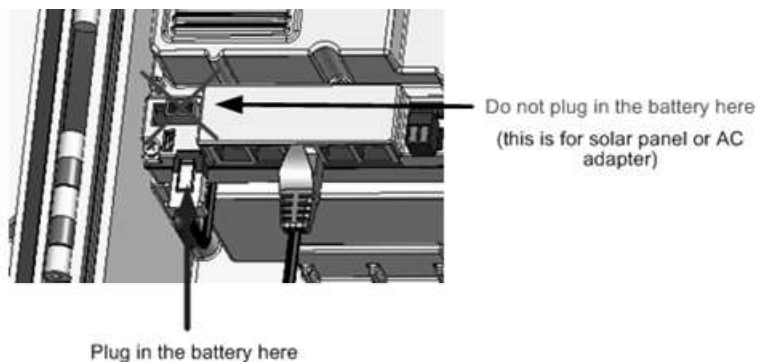
If you are using the Smart Sensor Expander Board, you should install these cables to that board first, routing them through the secondary cable slot.

Step 4 - Connect the U30 to a Computer Running HOBOWare

Connect the U30 to a computer using a USB cable supplied by Onset. plug the "mini-B" end of the USB cable provided into the USB port on the HOBOWare U30 Station and connect the "A" end to the USB port in your computer.

Step 5 - Connect the Battery

Power up the U30 Station by plugging in the built-in battery cable into the battery connector.



Step 6 - Configure Analog Sensor Port (Optional)

If you are using analog sensors, configure the analog sensor port on the U30 now using alatujware.

- From the Main Menu select **Device > Configure Modules/Ports**. The **Select Channel to Configure** dialog will appear showing all configurable Analog Sensors attached to the logger.
- Click the + sign to expand the entry and show the channels.
- Select a channel name and then click the **Configure** button to open the **Channel Configuration** dialog.
- Change any configurable parameters as required.
- To send the currently displayed configuration to the module/port, click **Configure**.

See the *ware User Guide* for more details.

Step 7 - Configure Launch Settings

- From the Main Menu, select **Device > Launch**.
- Enter values as required in the **Launch Window**.

Enter a *Launch Description*, which will be used as the filename for data readouts.

Select a *Logging Interval*, which is how often the U30 logs data from the sensors. For an initial test, configure a logging interval of 10 seconds.

Select a *Launch Option*, which determines when the U30 will be launched. For an initial test, select *Now*.

- Click the **Start** button.

Step 8 - Test U30 and Sensors

- To verify that the U30 and sensors are working properly, from the Main Menu select **Device > Status**.
- Change the sensor readings by changing the conditions.

For example, if you are measuring temperature, hold the temperature sensor in your hands for a minute or two and verify that the temperature shown in the Current Readings increases.